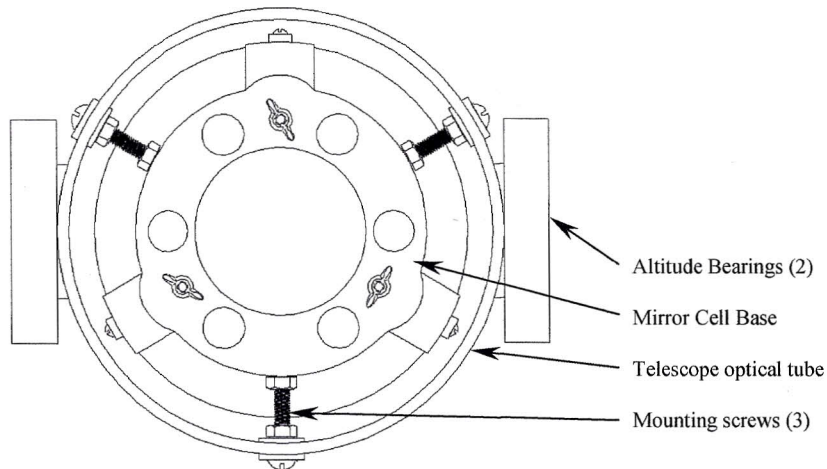


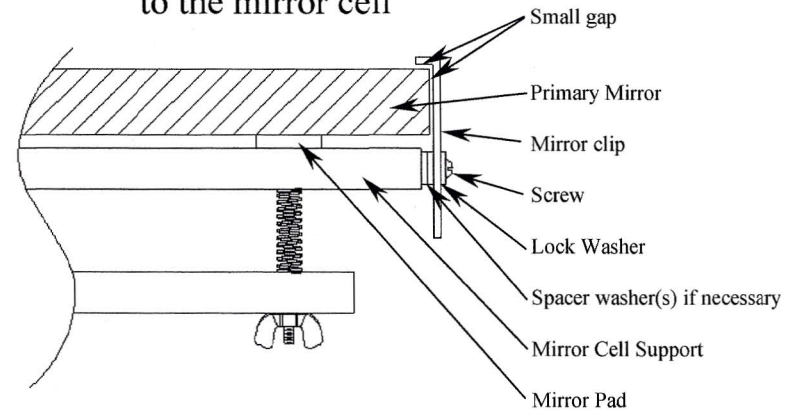
URECELL Mirror Cell Installation Instructions

Orientation of the mirror cell in the telescope optical tube



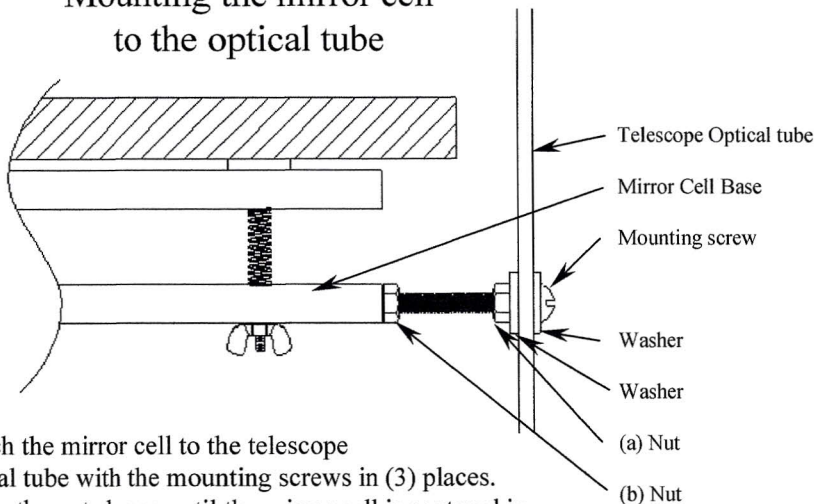
Orient the mirror cell mounting screws as shown. This will permit the primary mirror to nest between the two lower mirror clips to stabilize the primary mirror.

Mounting the primary mirror to the mirror cell



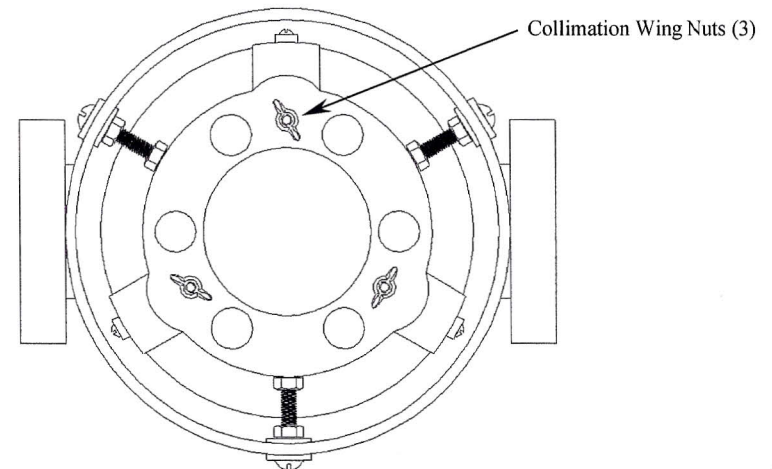
Set the primary mirror on the three mirror pads and center the mirror. Install the mirror (3) clips. Adjust the clip up/down so that there is a small gap between the mirror clip and the top of the primary mirror. Add spacer washers as needed so there is a small gap between the mirror clip and the side of the primary mirror.

Mounting the mirror cell to the optical tube



Attach the mirror cell to the telescope optical tube with the mounting screws in (3) places. Leave the nuts loose until the mirror cell is centered in the tube. Center the mirror cell in the tube then snug up the mounting screws without collapsing the tube. Tighten nut (a) first to secure the mounting screw to the tube, then tighten nut (b) against the mirror cell base.

Primary mirror collimation wing nuts



Use the (3) collimation wing nuts to collimate the primary mirror. Be sure that the springs are slightly compressed so that the primary mirror is held in collimation. To avoid damage to the mirror cell, the springs should never be fully collapsed.